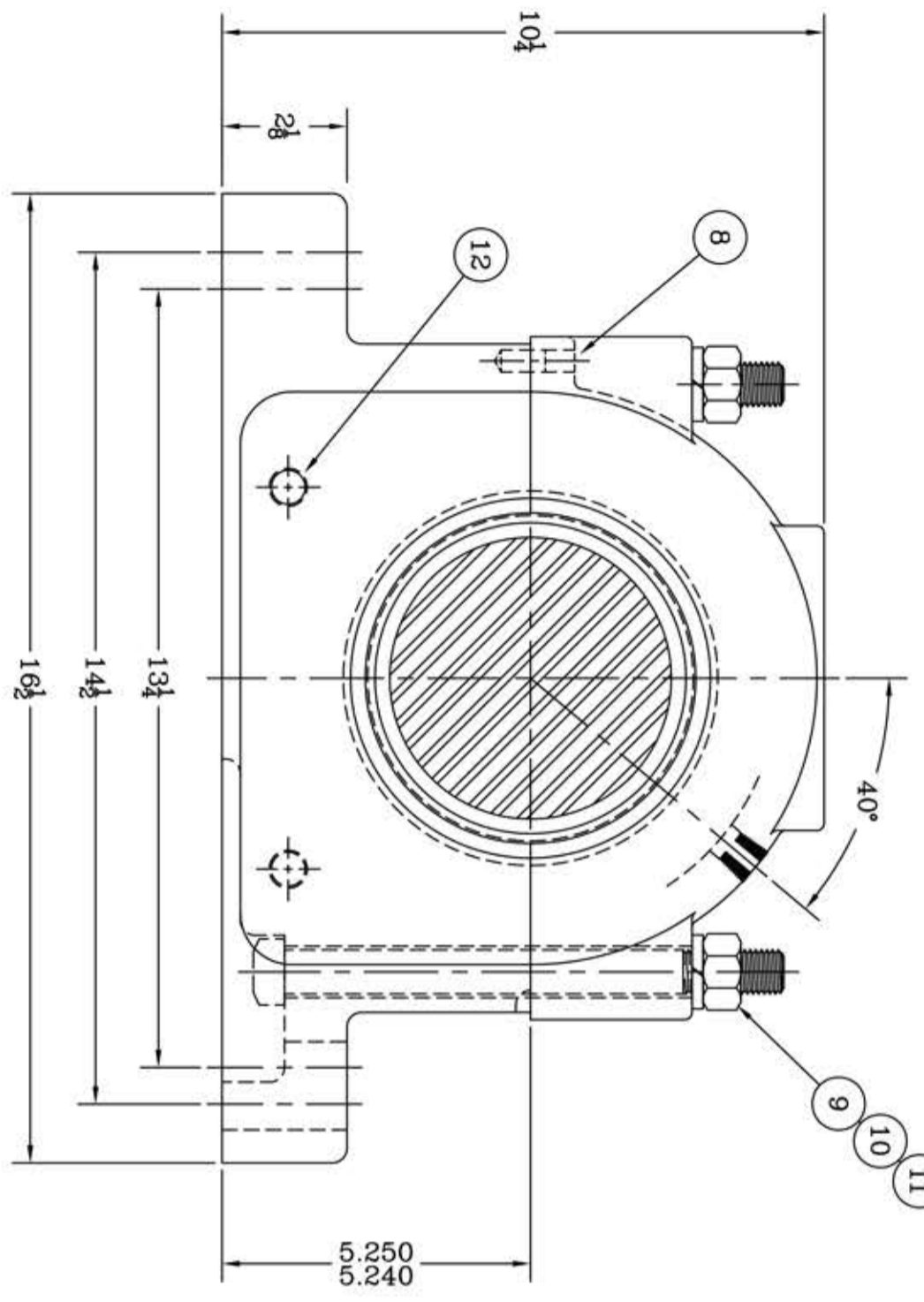
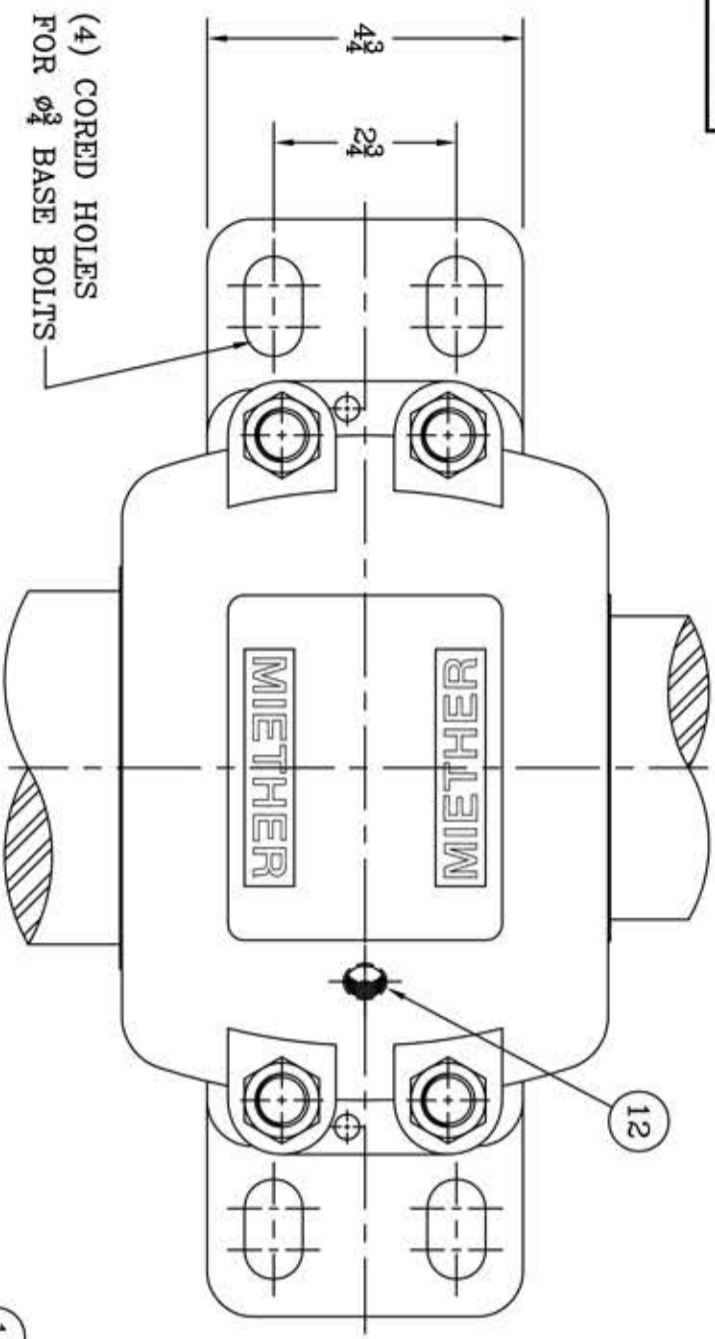
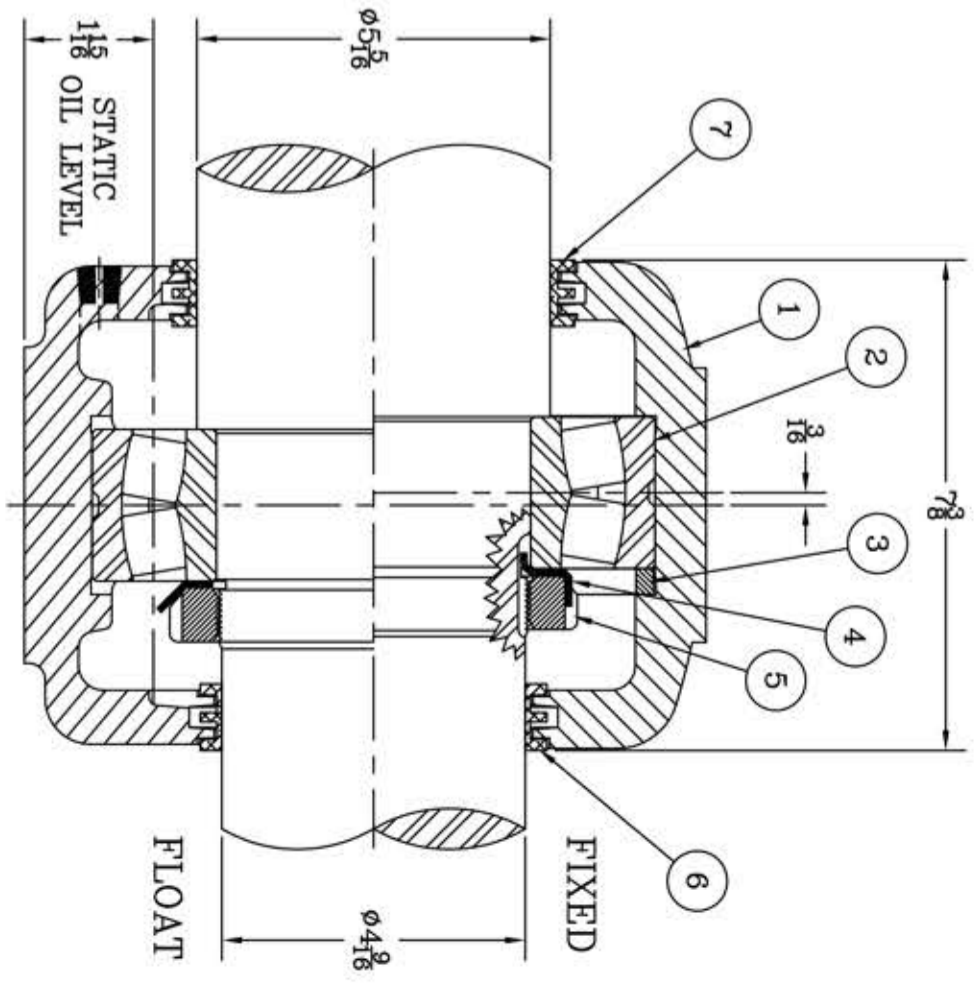


This drawing is the sole property of Miether Bearing Products and contains confidential and proprietary information. It is being provided to you for your use and may not be disclosed to any third party or used for any other purpose without Miether's prior written consent. The [materials] must be returned to the Company upon its demand. Your acceptance of these materials constitutes your acceptance of the foregoing terms.

C-14168



ITEM	DESCRIPTION	DETAIL	REQUIRED
1	HOUSING SAF 224	C-13137-R	1 1
2	SPHERICAL ROLLER BEARING	22224/W-33	1 1
3	STABILIZING RING SR-24-20	A-10604	1 0
4	LOCKNUT AN-24	B-10416	1 1
5	LOCKWASHER W-24	00246	1 1
6	TRIPLE SEAL RING LER-119	A-10625	1 1
7	TRIPLE SEAL RING LER-127	A-10626	2 2
8	DOWEL	$\phi 8 \times 8 1/2$ LONG	2 2
9	CAP BOLT SQUARE HEAD	$3/8-10$ NC X $8 1/2$ LONG	4 4
10	CAP BOLT HEX. NUT	$3/8-10$ NC	4 4
11	LOCKWASHER	$3/4$ SPLIT MED.	4 4
12	PIPE PLUG	$3/8-18$ NPT	3 3



REDRAWN FOR CONFORMITY per JLL by RWB 8-14-01  
 REDRAWN ON COMPUTER by F.M. 6-15-97

REVISIONS

SYMBOL	DESCRIPTION
$\nabla$	16
$\nabla$	32
$\nabla$	63
$\nabla$	125
$\nabla$	250
$\nabla$	500
$\nabla$	1000

TOLERANCE: UNLESS OTHERWISE SPECIFIED  
 FRACTIONS  $\pm 1/32$ "  
 DECIMALS  $\pm .005$ "  
 CASTING  $\pm 1/16$ "  
 ANGLES  $\pm 0^\circ 30'$   
 WELD  $\pm 1/16$ "

A.I.S.I. STANDARD FINISHES



SAF 22224 05-05 x 04-09  
 ASSEMBLY DRAWING

SCALE HALF  
 DRAWN BAB  
 DATE 1/18/87  
 CHK:

ASSEMBLY NO.  
 DRAWING NO.  
 C-14168